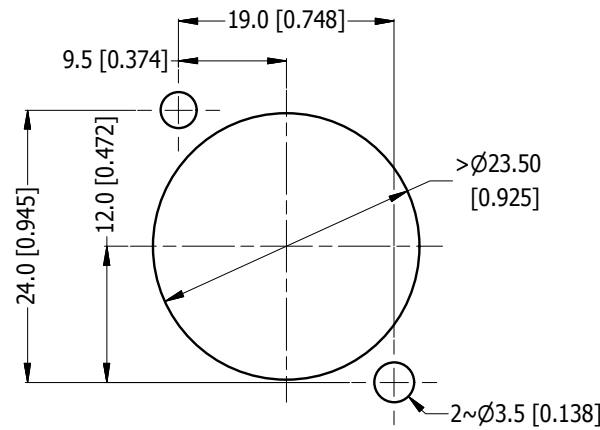
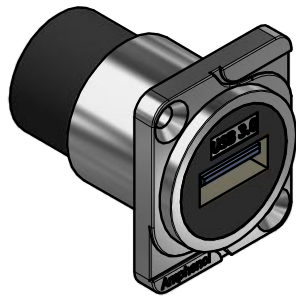
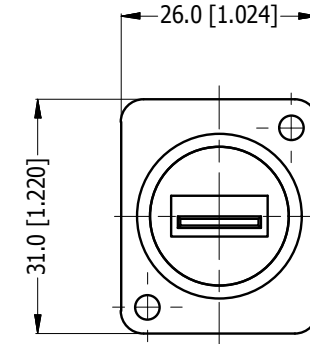
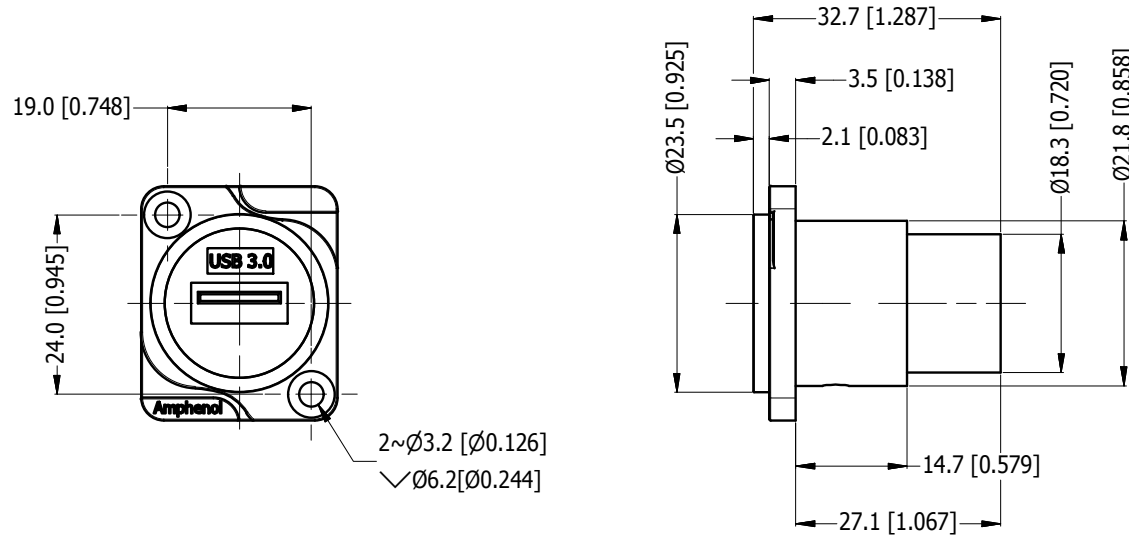


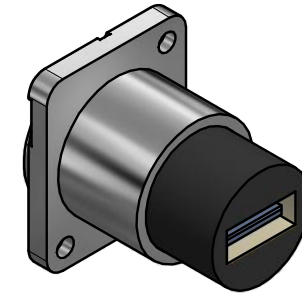
LEGEND  = KEY PRODUCT CHARACTERISTICS

REVISION HISTORY

| REV | DESCRIPTION | DATE | BY | ECN |
|-----|-------------|----------|----|------|
| 1 | FIRST ISSUE | 19/02/18 | MH | ---- |



PANEL CUT OUT - REAR MOUNT
(SCALE 2:1)



| PART NUMBER | SHELL FINISH |
|-------------|--------------------|
| AC-USB3-AA | NICKEL PLATED |
| AC-USB3-AAB | MATT BLACK COATING |

| UNLESS OTHERWISE SPECIFIED TOLERANCE TO BE | |
|--|-------------|
| LINEAR | ANGULAR |
| X ± 0.5 | X' ± 1 |
| X.X ± 0.1 | X.X' ± 30' |
| X.XX ± 0.1 | X.XX" ± 15' |

BREAK ALL SHARP EDGES AND REMOVE ALL BURRS

DO NOT SCALE

DIMENSIONS IN MILLIMETRES

THIS DOCUMENT IS THE PROPERTY OF AMPHENOL AUSTRALIA PTY. LTD.
NO PART THEREOF MAY BE REPRODUCED AND USED
WITHOUT THE PRIOR WRITTEN CONSENT OF THE OWNER

MATERIAL: **SEE COMPONENT**

FINISH: **SEE COMPONENT**

THIRD ANGLE PROJECTION

DRN: M.H DATE: 19/02/18

CKD: M.H DATE: 19/02/18

APP'D: P.M DATE: 19/02/18

SCALE: **1:1** SIZE: **A4**

Amphenol

Amphenol Australia Pty.Ltd,
22 Industry Boulevard, Carrum Downs, VIC 3201

TITLE:
**USB3 D-TYPE
PANEL MOUNT
CUSTOMER DWG**

PART No.
SEE TABLE

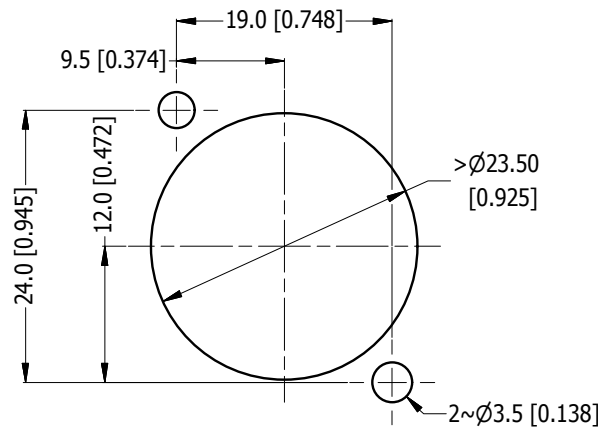
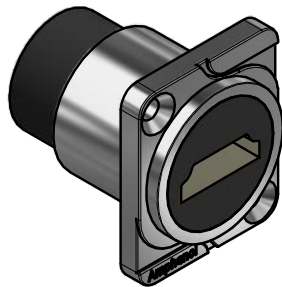
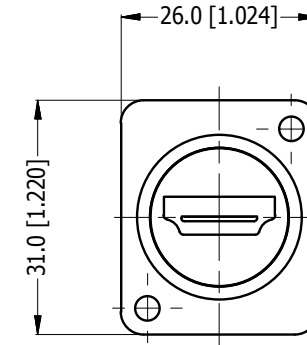
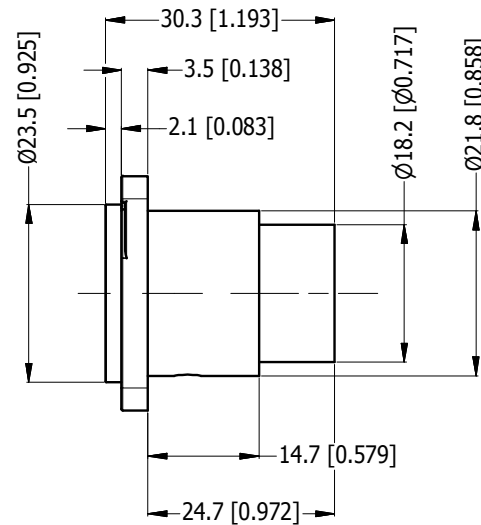
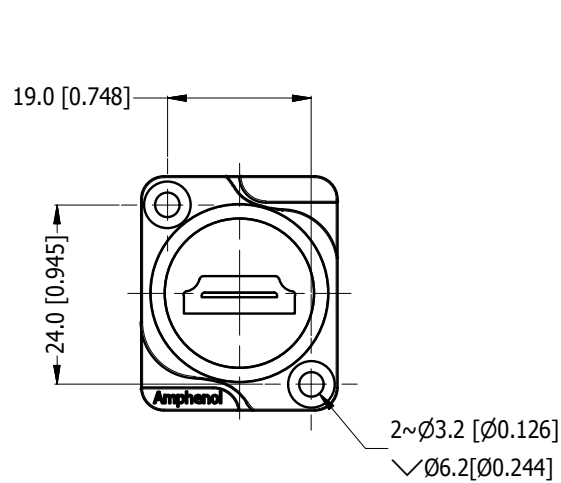
DRAWING No.
55011293-000-1 SHEET
2/2

CAD FILE 55011293000111

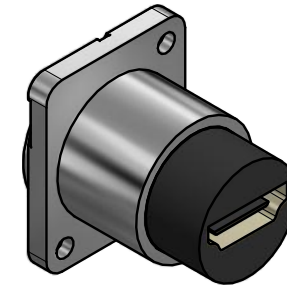
LEGEND  = KEY PRODUCT CHARACTERISTICS

REVISION HISTORY

| REV | DESCRIPTION | DATE | BY | ECN |
|-----|-------------|----------|----|------|
| 1 | FIRST ISSUE | 19/02/18 | MH | ---- |



PANEL CUT OUT - REAR MOUNT
(SCALE 2:1)



| PART NUMBER | SHELL FINISH |
|-------------|--------------------|
| AC-HDMI-RR | NICKEL PLATED |
| AC-HDMI-RRB | MATT BLACK COATING |

| UNLESS OTHERWISE SPECIFIED TOLERANCE TO BE | |
|--|-------------|
| LINEAR | ANGULAR |
| X ± 0.5 | X' ± 1 |
| X.X ± 0.1 | X.X' ± 30' |
| X.XX ± 0.1 | X.XX" ± 15' |

BREAK ALL SHARP EDGES AND REMOVE ALL BURRS

DO NOT SCALE

DIMENSIONS IN MILLIMETRES

THIS DOCUMENT IS THE PROPERTY OF AMPHENOL AUSTRALIA PTY. LTD.
NO PART THEREOF MAY BE REPRODUCED AND USED WITHOUT THE PRIOR WRITTEN CONSENT OF THE OWNER

MATERIAL: **SEE COMPONENT**

FINISH: **SEE COMPONENT**

THIRD ANGLE PROJECTION

DRN: M.H DATE: 19/02/18

CKD: M.H DATE: 19/02/18

APP'D: P.M DATE: 19/02/18

SCALE: **1:1** SIZE: **A4**

Amphenol

Amphenol Australia Pty.Ltd,
22 Industry Boulevard, Carrum Downs, VIC 3201

TITLE:
**HDMI D-TYPE
PANEL MOUNT
CUSTOMER DWG**

PART No.
SEE TABLE

DRAWING No.
55011294-000-1 SHEET
2/2

CAD FILE 55011294000111