

AP-* -11 TYPE	EP/AP INSERT P/N	BOOT P/N	SCREW P/N
AP - 3 - 11	156-4401-003	012-4400-000 DIAMETER, 11mm	990-4057-000 LONG SCREW
AP - 4 - 11	156-4401-004		
AP - 5 - 11	156-4401-005		
AP - 6 - 11	156-4401-006		
AP - 8 - 11	156-4401-008	012-4400-001 DIAMETER, 14.5mm	990-4057-001 SHORT SCREW

NOTE: 1. FOR EXAMPLE: FOR AN EP-8-11 USE ASSY No. 128154-0008

ITEM	PART No.	DWG No.	DESCRIPTION	QTY
5	SEE CHART	SEE CHART	AP BOOT	1
4	SEE CHART	SEE CHART	3/8"-24 UNF PLASTIC CABLE CLAMP SCREW	2
3	990-4400-000	990-4400-000	2-32 PAN HEAD SCREW	1
2	248-4411-000	248-4411-000	AP MRK II 11 SHELL	1
1	SEE CHART	SEE CHART	AP SOCKET INSULATOR ASSY	1

UNLESS OTHERWISE SPECIFIED TOLERANCE TO BE:  
 LINEAR: X ± 1.00 X' ± 1'  
 ANGULAR: X.X ± 0.50 X'X' ± 30'  
 X.XX ± 0.10 X'X'X' ± 15'

THIS DOCUMENT IS THE PROPERTY OF AMPHENOL AUSTRALIA PTY. LTD.. NO PART THEREOF MAY BE REPRODUCED AND USED WITHOUT THE PRIOR WRITTEN CONSENT OF THE OWNER

CAD FILE: 00809100 DRN: S.M.D DATE: 05-03-90  
 MATL: REFER TO COMPONENT CKD: T.N DATE: 18-09-01  
 FINISH: REFER TO COMPONENT APP'D: P.M DATE: 11-10-01

DO NOT SCALE THIRD ANGLE PROJECTION SCALE: 2:1 UOS

3	UPDATE TO AMPHENOL TITLE BLOCK & LOGO REDRAW, ADD BOM & 3D VIEWS	M.N.H.	19-04-01	7786
2	REFER TO CHANGE NOTE 6253	R.D.	18-09-95	6253
0	FIRST ISSUE	S.M.D	05-03-90	----
REV.	CHANGE DETAILS	BY	DATE	CHG/No

TITLE: **AP-\* -11 CUSTOMER/ASSEMBLY DRAWING**

**Amphenol**  
 Amphenol Australia Pty Ltd, 2 Fineways Blvd, Keysborough, Vic 3173

DRAWING NO. 128154-000\* SHEET 1 OF 1

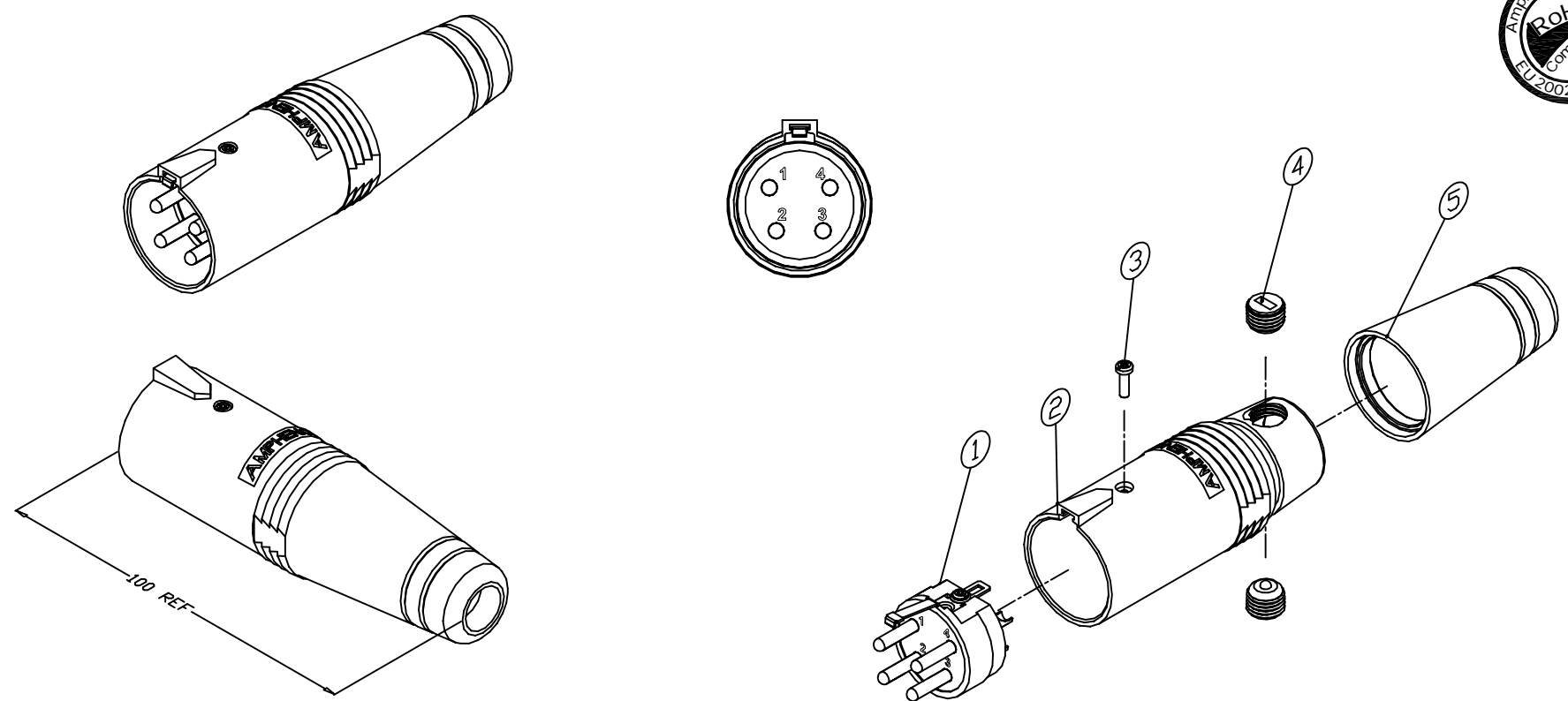
A  
B  
C  
D  
E

A  
B  
C  
D  
E

F

F

1 2 3 4 5 6



AP-* -12 TYPE	EP/AP INSERT P/N	BOOT P/N	SCREW P/N
AP - 3 - 12	156-4402-003	012-4400-000 DIAMETER. 11mm	990-4057-000 LONG SCREW
AP - 4 - 12	156-4402-004		
AP - 5 - 12	156-4402-005		
AP - 6 - 12	156-4402-006		
AP - 8 - 12	156-4402-008	012-4400-001 DIAMETER. 14.5mm	990-4057-001 SHORT SCREW

NOTE: 1. FOR EXAMPLE: FOR AN EP-4-12 USE ASSY No. 128155-0004

ITEM	PART No.	DWG No.	DESCRIPTION	QTY
5	SEE CHART	SEE CHART	AP BOOT	1
4	SEE CHART	SEE CHART	3/8"-24 UNF PLASTIC CABLE CLAMP SCREW	2
3	990-4400-000	990-4400-000	2-32 PAN HEAD SCREW	1
2	248-4412-000	248-4412-000	AP MRK II 12 SHELL	1
1	SEE CHART	SEE CHART	AP SOCKET INSULATOR ASSY	1

UNLESS OTHERWISE SPECIFIED TOLERANCE TO BE:  
 LINEAR: X ± 1.00 X' ± 1'  
 ANGULAR: X.X ± 0.50 X'X' ± 30'  
 X.XX ± 0.10 X'X'X' ± 15'

THIS DOCUMENT IS THE PROPERTY OF AMPHENOL AUSTRALIA PTY. LTD.. NO PART THEREOF MAY BE REPRODUCED AND USED WITHOUT THE PRIOR WRITTEN CONSENT OF THE OWNER

CAD FILE: 00808100 DRN: S.M.D DATE: 05-03-90  
 MATL: REFER TO COMPONENT CKD: T.N DATE: 18-09-01  
 FINISH: REFER TO COMPONENT APP'D: P.M DATE: 11-10-01

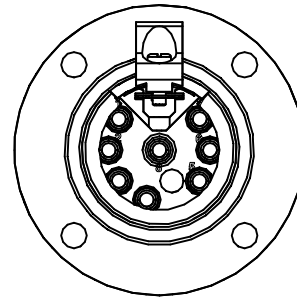
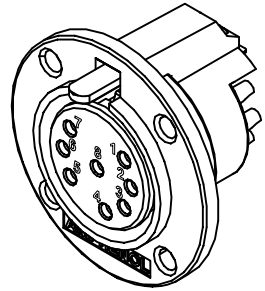
DO NOT SCALE THIRD ANGLE PROJECTION SCALE: 2:1 UOS PART No: 128155-000\* SIZE: A3

3	UPDATE TO AMPHENOL TITLE BLOCK & LOGO REDRAW, ADD BOM & 3D VIEWS	M.N.H.	19-04-01	7787
2	REFER TO CHANGE NOTE 6253	R.D.	18-09-95	6253
0	FIRST ISSUE	S.M.D	05-03-90	----
REV.	CHANGE DETAILS	BY	DATE	CHG/No

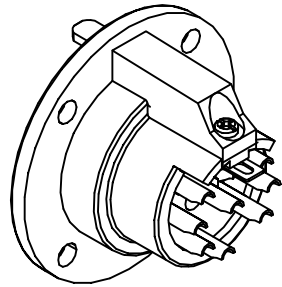
TITLE: AP-\* -12 ASSEMBLY DRAWING

**Amphenol**  
 Amphenol Australia Pty Ltd, 2 Fireways Blvd, Keysborough, Vic 3173

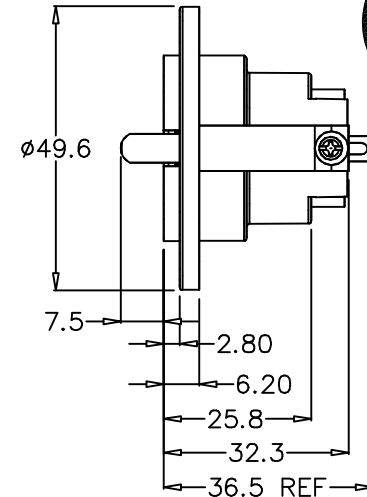
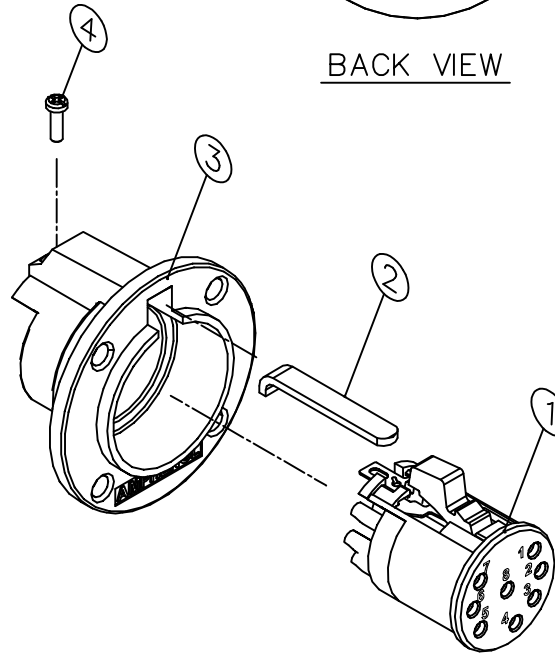
DRAWING NO. 128155-000\* SHEET 1 of 1



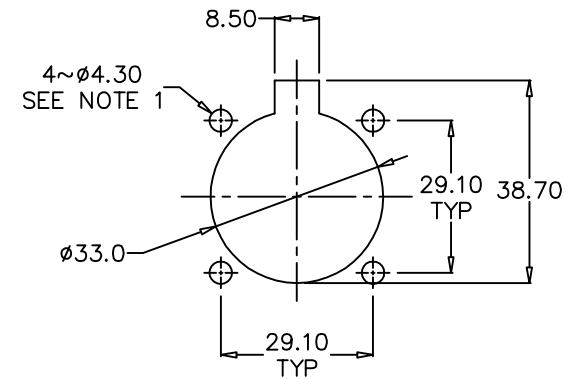
BACK VIEW



ISO VIEW



TOP VIEW



PANEL CUT OUT



AP-* -13 TYPE	EP/AP INSERT P/N
AP - 2 - 13	156-4401-002
AP - 3 - 13	156-4401-003
AP - 4 - 13	156-4401-004
AP - 5 - 13	156-4401-005
AP - 6 - 13	156-4401-006
AP - 8 - 13	156-4401-008

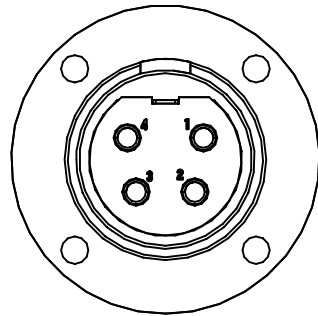
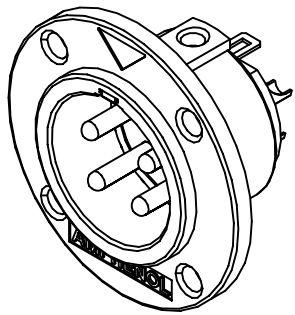
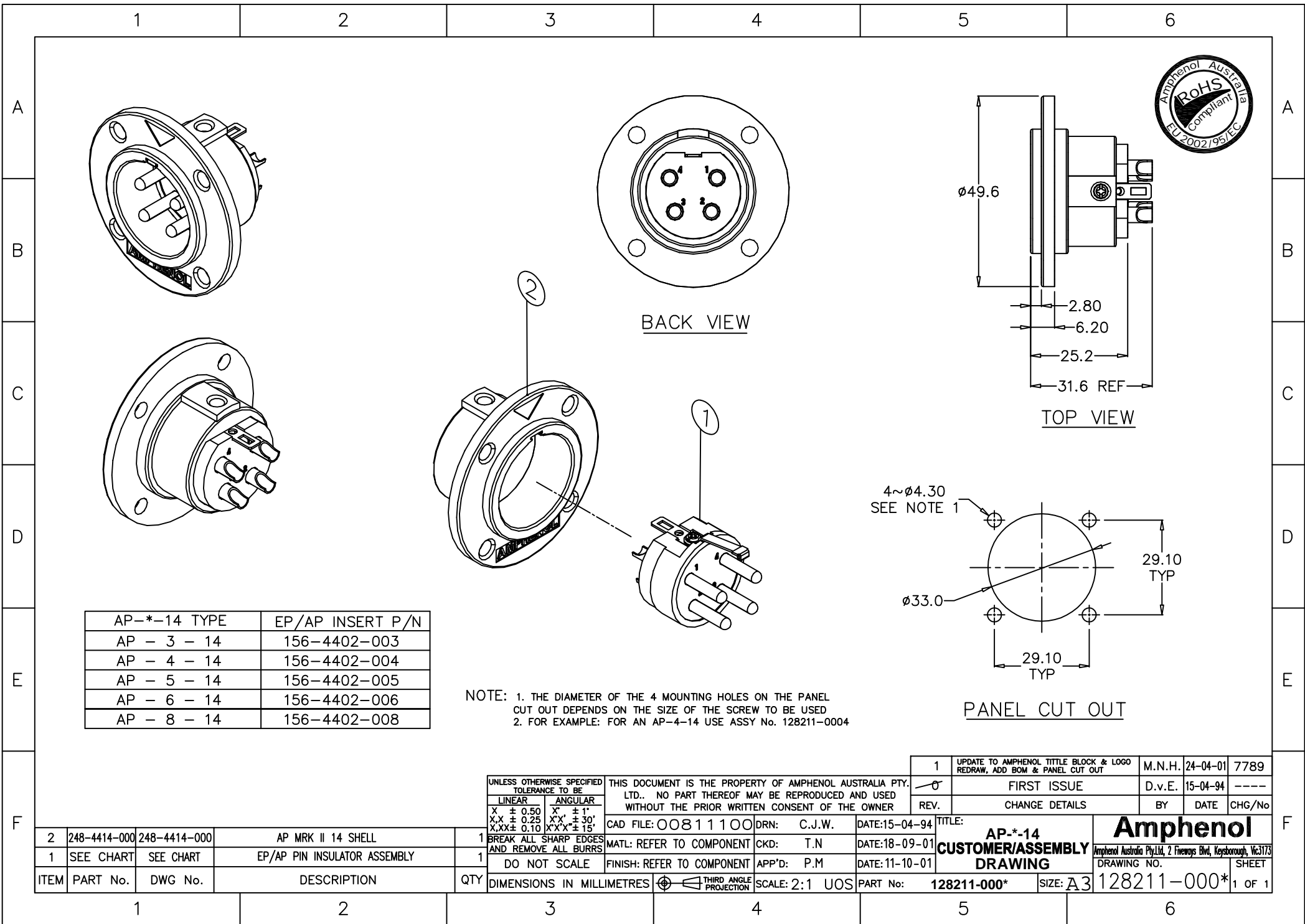
NOTE: 1. THE DIAMETER OF THE 4 MOUNTING HOLES ON THE PANEL CUT OUT DEPENDS ON THE SIZE OF THE SCREW TO BE USED  
 2. FOR EXAMPLE: FOR AN AP-8-13 USE ASSY No. 128209-0008

ITEM	PART No.	DWG No.	DESCRIPTION	QTY	DIMENSIONS IN MILLIMETRES	UNLESS OTHERWISE SPECIFIED TOLERANCE TO BE	THIS DOCUMENT IS THE PROPERTY OF AMPHENOL AUSTRALIA PTY. LTD.. NO PART THEREOF MAY BE REPRODUCED AND USED WITHOUT THE PRIOR WRITTEN CONSENT OF THE OWNER	REV.	CHANGE DETAILS	BY	DATE	CHG/No
5	990-4501-000	990-4501-000	2-32 PAN HEAD SCREW, SHORT	1		LINEAR: X ± 1.00	CAD FILE: 00810100	1	UPDATE TO AMPHENOL TITLE BLOCK & LOGO REDRAW, ADD BOM & PANEL CUT OUT DETAILS	M.N.H.	24-04-01	7788
4	990-4400-000	990-4400-000	2-32 PAN HEAD SCREW, LONG	1		ANGULAR: X' ± 1°		DRN: S.M.D	0	FIRST ISSUE	S.M.D	07-02-90
3	248-4413-000	248-4413-000	AP MRK II 13 SHELL	1		X,X ± 0.50	DRN: T.N	1	CHANGE DETAILS			
2	208-4001-000	208-4001-000	EP/AP LATCH LEVER	1		X',X' ± 30'	DATE: 07-02-90					
1	REFER CHART	REFER CHART	EP SOCKET INSULATOR ASSY	1		X,XX ± 0.20	DATE: 18-09-01					
						DO NOT SCALE	DATE: 11-10-01					
						BREAK ALL SHARP EDGES AND REMOVE ALL BURRS	APP'D: P.M					
						FINISH: REFER TO COMPONENT	SCALE: 2:1 UOS					
						THIRD ANGLE PROJECTION	PART No: 128209-000*					
							SIZE: A3					

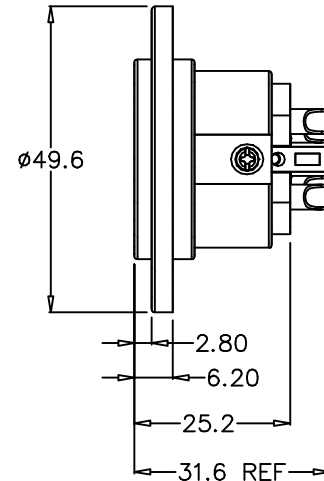
**AP-\* -13 CUSTOMER/ASSEMBLY DRAWING**

**Amphenol**  
 Amphenol Australia Pty Ltd, 2 Fineways Blvd, Keysborough, Vic 3173

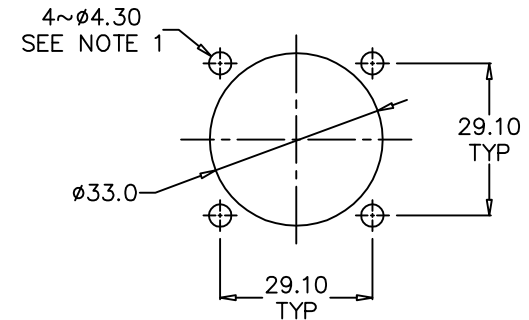
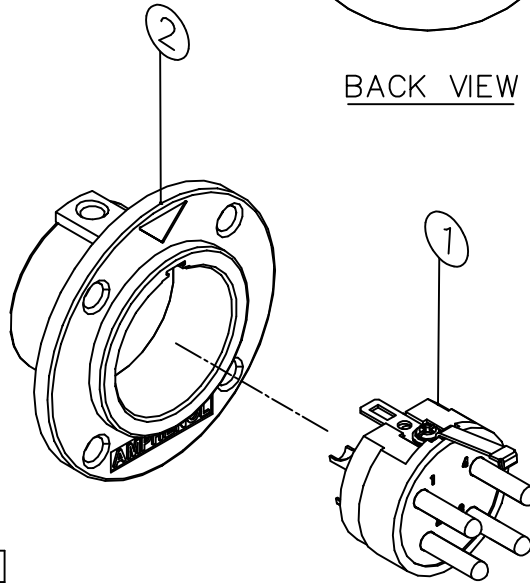
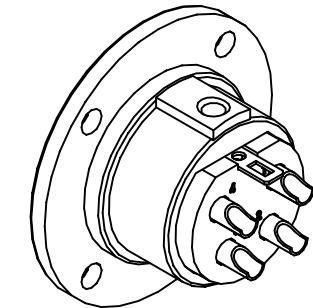
DRAWING NO. 128209-000\*  
 SHEET 1 of 1



BACK VIEW



TOP VIEW



PANEL CUT OUT

AP-*14 TYPE	EP/AP INSERT P/N
AP - 3 - 14	156-4402-003
AP - 4 - 14	156-4402-004
AP - 5 - 14	156-4402-005
AP - 6 - 14	156-4402-006
AP - 8 - 14	156-4402-008

NOTE: 1. THE DIAMETER OF THE 4 MOUNTING HOLES ON THE PANEL CUT OUT DEPENDS ON THE SIZE OF THE SCREW TO BE USED  
2. FOR EXAMPLE: FOR AN AP-4-14 USE ASSY No. 128211-0004

UNLESS OTHERWISE SPECIFIED TOLERANCE TO BE	
LINEAR	ANGULAR
X ± 0.50	X' ± 1'
X.X ± 0.25	X'X' ± 30'
X.XX ± 0.10	X'X'X' ± 15'

THIS DOCUMENT IS THE PROPERTY OF AMPHENOL AUSTRALIA PTY. LTD.. NO PART THEREOF MAY BE REPRODUCED AND USED WITHOUT THE PRIOR WRITTEN CONSENT OF THE OWNER

1	UPDATE TO AMPHENOL TITLE BLOCK & LOGO REDRAW, ADD BOM & PANEL CUT OUT	M.N.H.	24-04-01	7789
	FIRST ISSUE	D.v.E.	15-04-94	----
REV.	CHANGE DETAILS	BY	DATE	CHG/No

ITEM	PART No.	DWG No.	DESCRIPTION	QTY
2	248-4414-000	248-4414-000	AP MRK II 14 SHELL	1
1	SEE CHART	SEE CHART	EP/AP PIN INSULATOR ASSEMBLY	1

CAD FILE: 00811100	DRN: C.J.W.	DATE: 15-04-94
MATL: REFER TO COMPONENT	CKD: T.N	DATE: 18-09-01
FINISH: REFER TO COMPONENT	APP'D: P.M	DATE: 11-10-01
DIMENSIONS IN MILLIMETRES		
SCALE: 2:1 UOS		

TITLE: AP-*14 CUSTOMER/ASSEMBLY DRAWING		<b>Amphenol</b>	
PART No: 128211-000*		Amphenol Australia Pty Ltd, 2 Fineways Blvd, Keysborough, Vic 3173	
SIZE: A3		DRAWING NO. SHEET	
128211-000*		1 of 1	