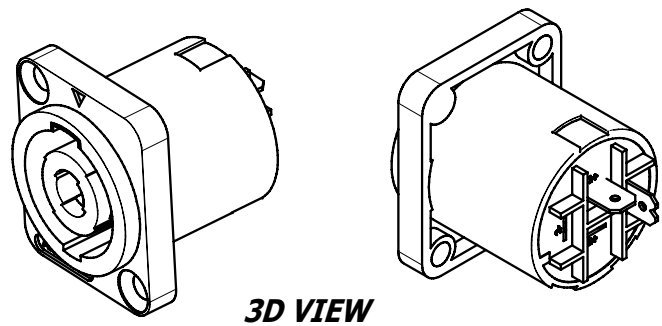
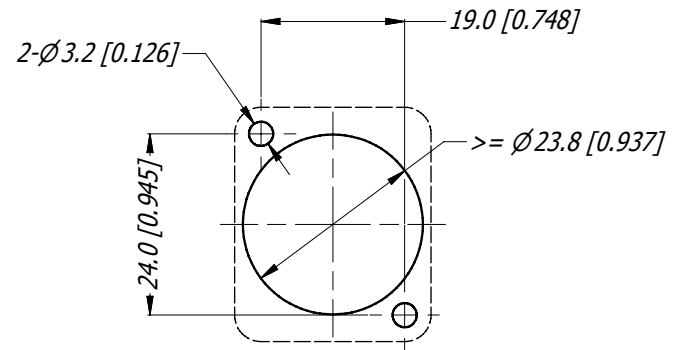
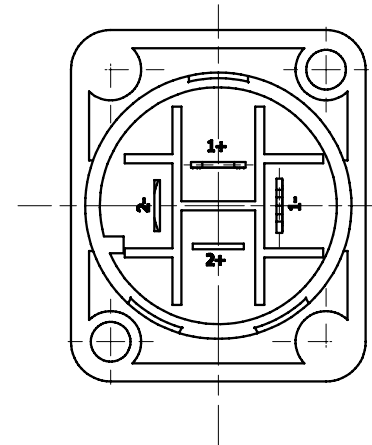
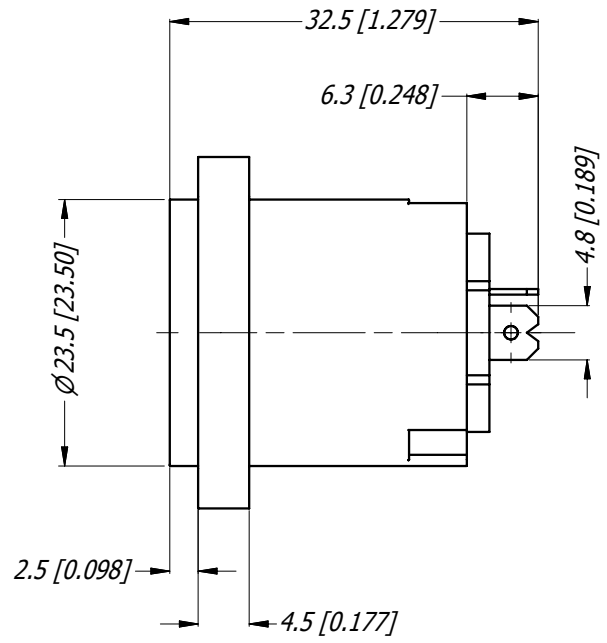
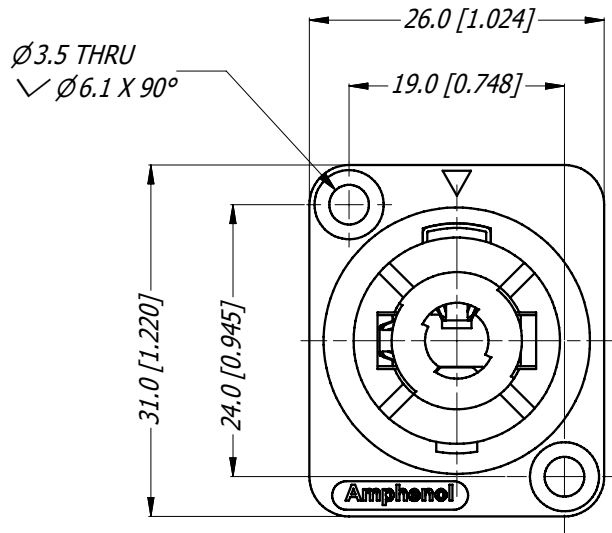


LEGEND  = KEY PRODUCT CHARACTERISTICS

REVISION HISTORY				
REV	DESCRIPTION	BY	DATE	ECN
0	FIRST ISSUE	H.H	14/02/11	8990



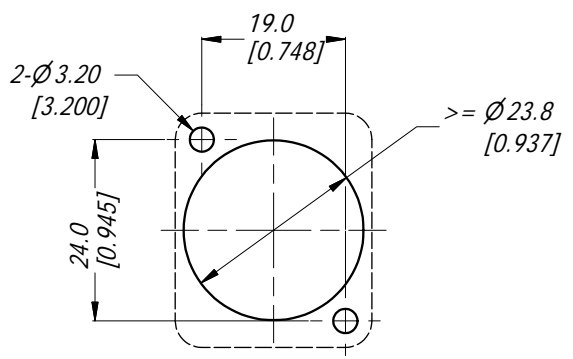
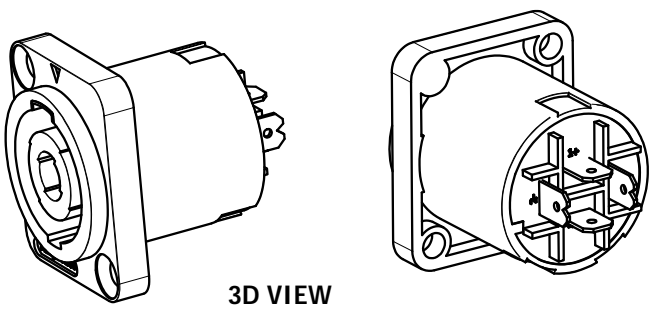
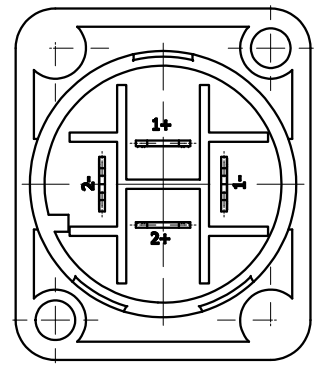
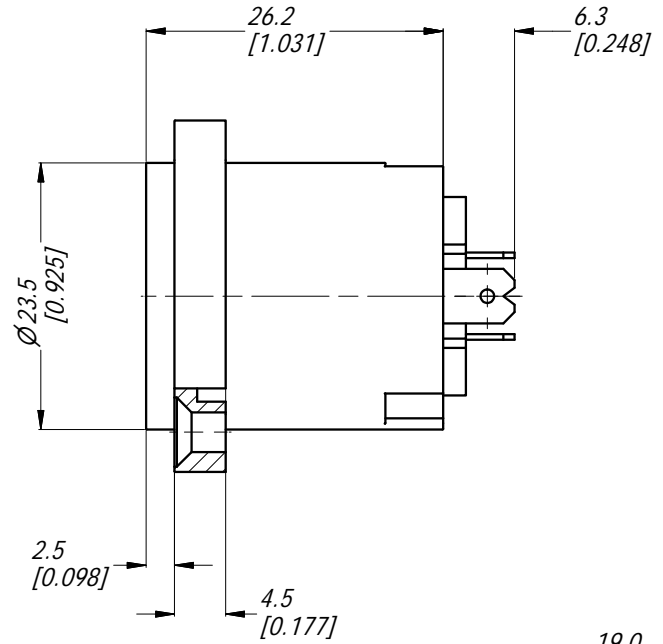
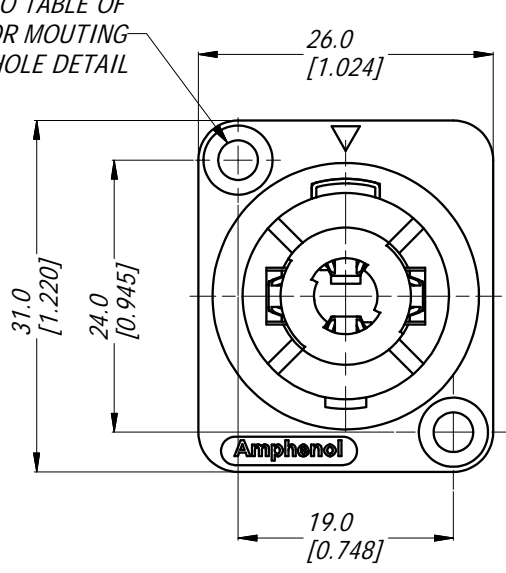
PANEL CUTOUT (1:1)

UNLESS OTHERWISE SPECIFIED TOLERANCE TO BE		THIS DOCUMENT IS THE PROPERTY OF AMPHENOL AUSTRALIA PTY. LTD. NO PART THEREOF MAY BE REPRODUCED AND USED WITHOUT THE PRIOR WRITTEN CONSENT OF THE OWNER				Amphenol		Amphenol Australia Pty.Ltd, 2 Fiveways Blvd, Keysborough, VIC 3173	
LINEAR	ANGULAR	MATERIAL:	DRN:	DATE:	TITLE:	PART No.			
X ± 0.5	X° ± 1	REFER TO COMPONENTS	HH	10/02/11	SP SERIES CONNECTOR LOUDSPEAKER 2 POLE, SOLDER	SP-2-MD			
X.X ± 0.1	X.X° ± 30°	BREAK ALL SHARP EDGES AND REMOVE ALL BURRS	CKD:	DATE:		DRAWING No.	SHEET		
X.XX ± 0.05	X.XX° ± 15°	DO NOT SCALE	PM	14/02/11		55010735-000-2	2/2		
DIMENSIONS IN MILLIMETRES		FINISH:	APP'D:	DATE:	CAD FILE:	55010735000210			
		THIRD ANGLE PROJECTION	SCALE:	SIZE:					
			3:2	A4					

LEGEND = KEY PRODUCT CHARACTERISTICS

REVISION HISTORY				
REV	DESCRIPTION	BY	DATE	ECN
0	FIRST ISSUE	HH	14/02/11	8990
1	ADD PN SP-4-MDT-8	MH	11/09/13	---

REFER TO TABLE OF PART No FOR MOUNTING HOLE DETAIL



PANEL CUTOUT (1 : 1)



PART NUMBER	MOUNTING HOLE (mm)	SHELL COLOUR
SP-4-MD	Ø3.5 THRU HOLES	BLACK
SP-4-MD-8	Ø3.5 THRU HOLES	GREY
SP-4-MDT	Ø2.3 SELF TAPPING HOLES	BLACK
SP-4-MDT-8	Ø2.3 SELF TAPPING HOLES	GREY

UNLESS OTHERWISE SPECIFIED TOLERANCE TO BE		THIS DOCUMENT IS THE PROPERTY OF AMPHENOL AUSTRALIA PTY. LTD. NO PART THEREOF MAY BE REPRODUCED AND USED WITHOUT THE PRIOR WRITTEN CONSENT OF THE OWNER	
LINEAR	ANGULAR	MATERIAL:	DRN: HH DATE: 10/02/11
X ± 0.5	X' ± 1	REFER TO COMPONENTS	CKD: MH DATE: 11/09/13
X.X ± 0.1	X.X' ± 30'	FINISH:	APP'D: PM DATE: 11/09/13
X.XX ± 0.05	X.XX' ± 15'	DO NOT SCALE	SCALE: 3:2 SIZE: A4
BREAK ALL SHARP EDGES AND REMOVE ALL BURRS		THIRD ANGLE PROJECTION	
DIMENSIONS IN MILLIMETRES		CAD FILE: 55010738000210	

Amphenol Amphenol Australia Pty.Ltd, 2 Fiveways Blvd, Keysborough, VIC 3173	
TITLE: SP SERIES CONNECTOR LOUDSPEAKER 4 POLE, SOLDER	PART No. REFER TO TABLE
DRAWING No. 55010738-000-2	SHEET 2/2