



CLAMPING VIEW

AMPHENOL PART NUMBER	REFERENCE PART NUMBER	SHELL FINISH	CONTACT FINISH
TM2PJ-AU	55010143-000	NICKEL PLATE	GOLD TIP AND SLEEVE
TM2PJ-AG	55010143-001		SILVER TIP AND SLEEVE
TM2PJ	55010143-002		NICKEL TIP AND SLEEVE
TM2PBJ-AU	55010143-003	MATT BLACK	GOLD TIP AND SLEEVE
TM2PBJ-AG	55010143-004		SILVER TIP AND SLEEVE
TM2PBJ	55010143-005		NICKEL TIP AND SLEEVE

NOTE: THIS CONNECTOR COVERED BY US PATENT No.s: 5,305,547 AND 5,439,388

REV.	CHANGE DETAILS	BY	DATE	CHG/No
2	CHANGE P/N 55010143-002 FOR NICKEL TIP & SLEEVE CHANGE (TM2PJ-AUT) TO (TM2PJ), (REFER TO C/N)	L.V	24-02-05	8342
1	UPDATE TO COMPLY WITH CHANGED COMPONENTS	L.V	01-11-02	8095
0	FIRST ISSUE	L.V	30-04-02	----

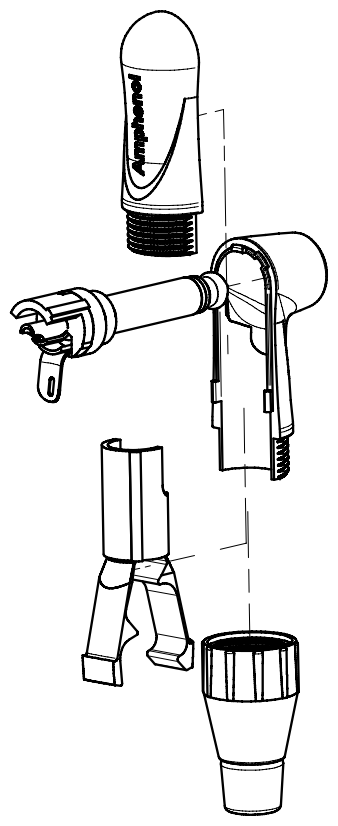
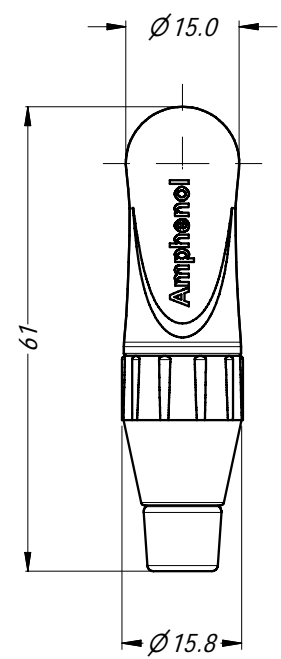
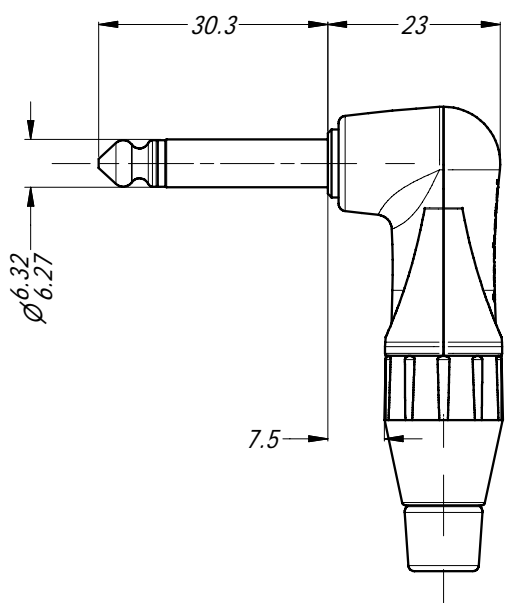
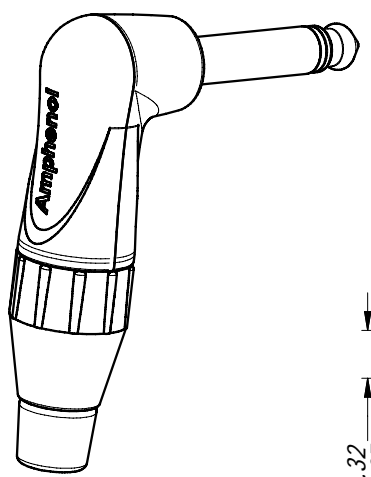
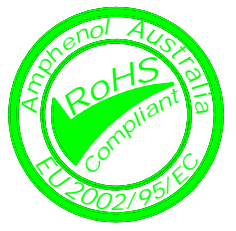
UNLESS OTHERWISE SPECIFIED TOLERANCE TO BE		THIS DOCUMENT IS THE PROPERTY OF AMPHENOL AUSTRALIA PTY. LTD.. NO PART THEREOF MAY BE REPRODUCED AND USED WITHOUT THE PRIOR WRITTEN CONSENT OF THE OWNER			
LINEAR	ANGULAR	CAD FILE: 55010143000222	DRN: L.V	DATE: 30-04-02	<b>TITLE:</b> <b>1/4" PHONE MONO PLUG CUSTOMER DRAWING</b> <b>Amphenol</b> <small>Amphenol Australia Pty Ltd, 2 Fineways Blvd, Keysborough, Vic 3173</small> DRAWING NO. SHEET <b>55010143-000-2</b> 2 OF 2
X ± 0.5	X° ± 1°	MATL: REFER TO COMPONENTS	CKD: M.N.H	DATE: 04-06-05	
X,X ± 0.1	X°X' ± 30'	FINISH: REFER TO COMPONENTS	APP'D: P.M	DATE: 09-06-05	
X,X,X ± 0.05	X°X'X" ± 15'	DO NOT SCALE		SCALE: 2:1 UOS	
BREAK ALL SHARP EDGES AND REMOVE ALL BURRS		DIMENSIONS IN MILLIMETRES		THIRD ANGLE PROJECTION	

A  
B  
C  
D  
E  
F

A  
B  
C  
D  
E  
F

1 2 3 4 5 6

REVISION HISTORY				
REV	DESCRIPTION	BY	DATE	ECN
0	FIRST ISSUE	T.N	11/02/10	8882



PART NUMBER BREAKDOWN

**TM2R B J - AU**

SERIES DESIGNATION

CONTACT FINISH  
BLANK: NICKEL  
AU: : GOLD

SHELL FINISH  
BLANK: NICKEL  
B: : BLACK

CABLE CLAMP SIZE  
BLANK: STANDARD  
J: : LARGE

NOTES:

- STANDARD JAW CABLE CLAMP (BLACK) USED FOR CABLE OD 3.0 mm TO 5.5mm  
LARGE JAW CABLE CLAMP (PURPLE) USED FOR CABLE OD 5.5mm TO 6.5mm

UNLESS OTHERWISE SPECIFIED TOLERANCE TO BE	
LINEAR	ANGULAR
X ± 0.5	X' ± 1
X.X ± 0.1	X.X' ± 30'
X.XX ± 0.05	X.XX' ± 15'

BREAK ALL SHARP EDGES AND REMOVE ALL BURRS

DO NOT SCALE

DIMENSIONS IN MILLIMETRES

THIS DOCUMENT IS THE PROPERTY OF AMPHENOL AUSTRALIA PTY. LTD.  
NO PART THEREOF MAY BE REPRODUCED AND USED WITHOUT THE PRIOR WRITTEN CONSENT OF THE OWNER

MATERIAL: SEE COMPONENTS

FINISH: SEE COMPONENTS

DRN: T.N DATE: 26/10/09

CKD: P.M DATE: 27/10/09

APP'D: P.M DATE: 27/10/09

SCALE: 1:1 SIZE: A4

**Amphenol**

Amphenol Australia Pty.Ltd,  
2 Fiveways Blvd, Keysborough, VIC 3173

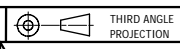
TITLE:  
**1/4 PHONE PLUG  
MONO RIGHT ANGLE  
CUSTOMER DWG**

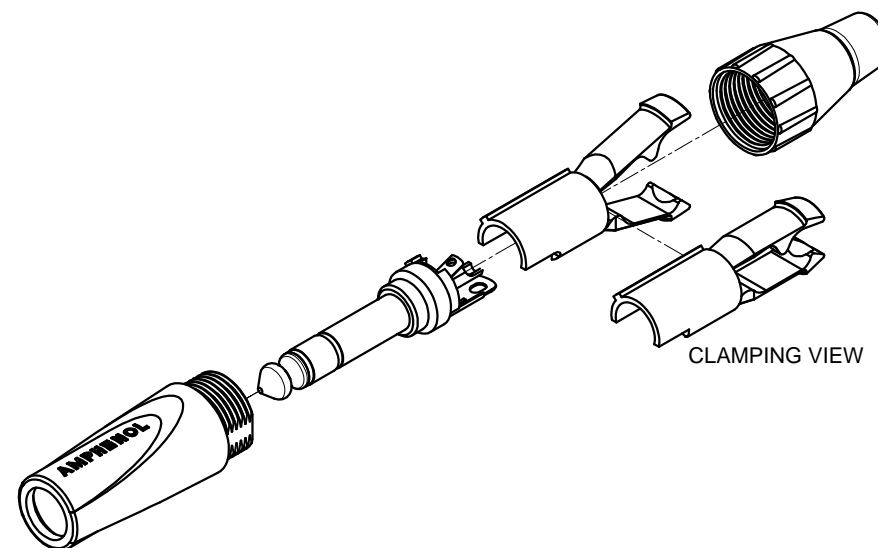
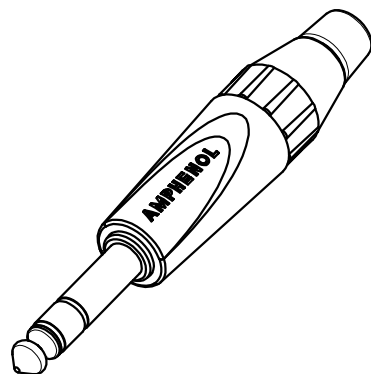
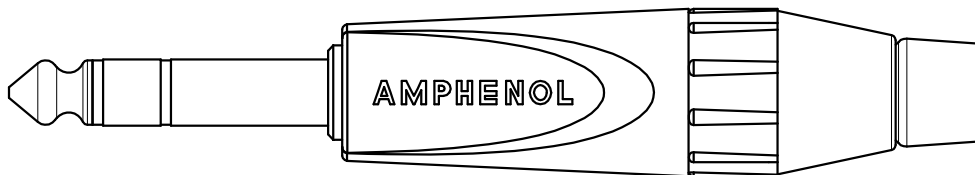
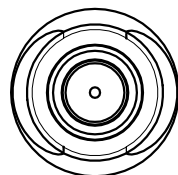
PART No:  
**SEE P/No BREAKDOWN**

DRAWING NO. SHEET

CAD FILE: 55010637000210

55010637-000-2 2/2





AMPHENOL PART NUMBER	REFERENCE PART NUMBER	SHELL FINISH	CONTACT FINISH
TS3PJ-AU	55010138-000	NICKEL PLATE	GOLD TIP, RING AND SLEEVE
TS3PJ-AG	55010138-001		SILVER TIP, RING AND SLEEVE
TS3PJ	55010138-002		NICKEL TIP, RING AND SLEEVE
TS3PBJ-AU	55010138-003	MATT BLACK	GOLD TIP, RING AND SLEEVE
TS3PBJ-AG	55010138-004		SILVER TIP, RING AND SLEEVE
TS3PBJ	55010138-005		NICKEL TIP, RING AND SLEEVE

NOTE: THIS CONNECTOR COVERED BY US PATENT No.s: 5,305,547 AND 5,439,388

REV.	CHANGE DETAILS	BY	DATE	CHG/No
2	CHANGE P/N 55010138-002 FOR NICKEL TIP, RING & SLEEVE CHANGE (TS3PJ-AU) TO (TS3PJ) (REFER TO C/N)	L.V	24-02-05	8342
1	UPDATE TO COMPLY WITH CHANGED COMPONENTS	L.V	01-11-02	8095
0	FIRST ISSUE	L.V	30-04-02	----

UNLESS OTHERWISE SPECIFIED TOLERANCE TO BE		THIS DOCUMENT IS THE PROPERTY OF AMPHENOL AUSTRALIA PTY. LTD.. NO PART THEREOF MAY BE REPRODUCED AND USED WITHOUT THE PRIOR WRITTEN CONSENT OF THE OWNER			
LINEAR	ANGULAR	CAD FILE: 55010138000222	DRN: L.V	DATE: 30-04-02	<b>TITLE:</b> <b>1/4" PHONE STEREO PLUG CUSTOMER DRAWING</b> <b>Amphenol</b> <small>Amphenol Australia Pty Ltd, 2 Fineways Blvd, Keysborough, Vic 3173</small> DRAWING NO. SHEET <b>55010138-000-2</b> 2 OF 2
X ± 0.5	X° ± 1°	MATL: REFER TO COMPONENTS	CKD: M.N.H	DATE: 04-06-05	
X,X ± 0.1	X°X' ± 30'	FINISH: REFER TO COMPONENTS	APP'D: P.M	DATE: 09-06-05	
X,X ± 0.05	X°X'X" ± 15'	DO NOT SCALE	SCALE: 2:1 UOS	PART No: REFER TO TABLE	
DIMENSIONS IN MILLIMETRES		THIRD ANGLE PROJECTION		SIZE: A3	

A  
B  
C  
D  
E  
F

A  
B  
C  
D  
E  
F

1

2

3

4

5

6

1

2

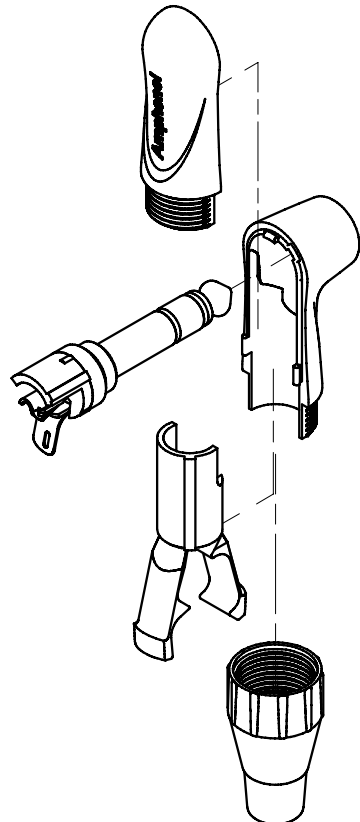
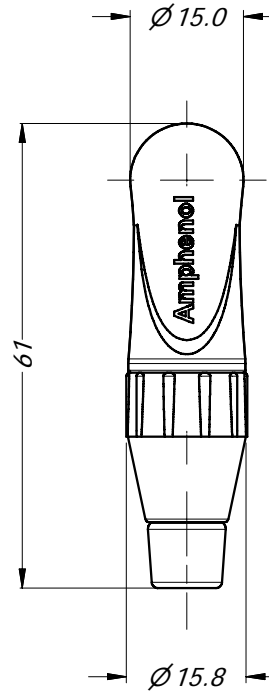
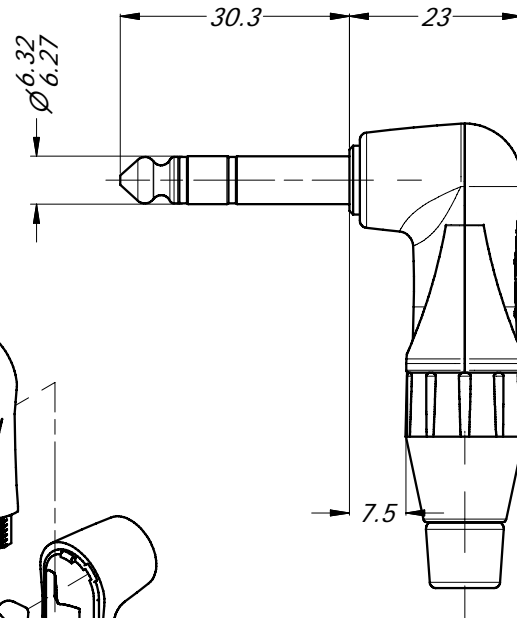
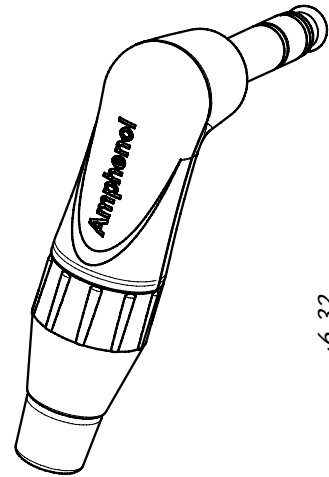
3

4

5

6

REVISION HISTORY				
REV	DESCRIPTION	BY	DATE	ECN
0	FIRST ISSUE	T.N	11/02/10	8882



PART NUMBER BREAKDOWN

**TS3R B J - AU**

SERIES DESIGNATION

CONTACT FINISH  
BLANK: NICKEL  
AU: : GOLD

SHELL FINISH  
BLANK: NICKEL  
B: : BLACK

CABLE CLAMP SIZE  
BLANK: STANDARD  
J: : LARGE

NOTES:

- STANDARD JAW CABLE CLAMP (BLACK) USED FOR CABLE OD 3.0 mm TO 5.5mm  
LARGE JAW CABLE CLAMP (PURPLE) USED FOR CABLE OD 5.5mm TO 6.5mm.

UNLESS OTHERWISE SPECIFIED TOLERANCE TO BE		THIS DOCUMENT IS THE PROPERTY OF AMPHENOL AUSTRALIA PTY. LTD. NO PART THEREOF MAY BE REPRODUCED AND USED WITHOUT THE PRIOR WRITTEN CONSENT OF THE OWNER		<b>Amphenol</b> Amphenol Australia Pty.Ltd, 2 Fiveways Blvd, Keysborough, VIC 3173	
LINEAR		MATERIAL: SEE COMPONENTS		TITLE: 1/4" PHONE PLUG STEREO RIGHT ANGLE CUSTOMER DWG	
X ±0.5	X' ±1	DRN: A.H		PART No: SEE P/No BREAKDOWN	
X.X ±0.1	X.X' ±30'	DATE: 26/10/09		DRAWING NO. 55010636-000-2	
X.XX ±0.05	X.X'X" ±15'	DATE: 27/10/09		SHEET 2/2	
DO NOT SCALE		FINISH: SEE COMPONENTS		SCALE: 1:1	
DIMENSIONS IN MILLIMETRES		THIRD ANGLE PROJECTION		SIZE: A4	
				CAD FILE: 55010636000210	