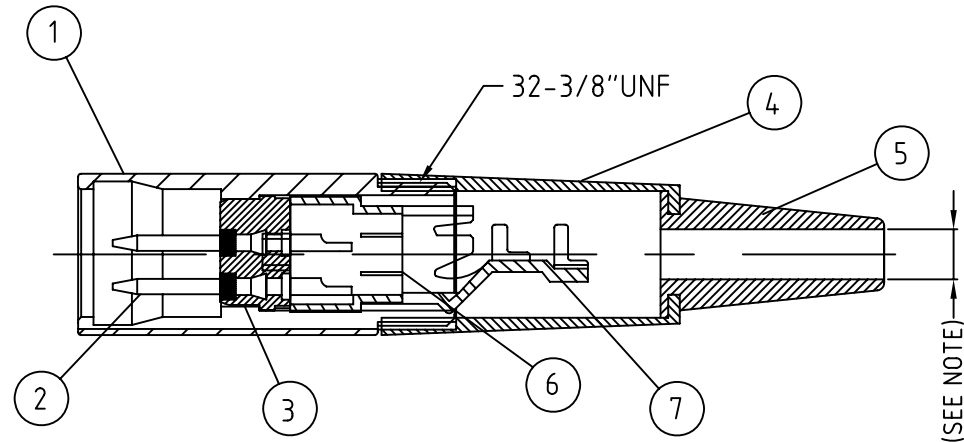


No. CONTACT	PART No.	CABLE ENTRY (mm)
3 POLE	AG3M	3.5 DIAM GROMMET
4 POLE	AG4M	3.5 DIAM GROMMET
5 POLE	AG5M	5 DIAM GROMMET
6 POLE	AG6M	5 DIAM GROMMET



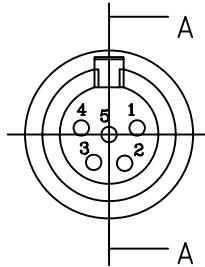
A-A SECTION

NOTE: SEE TABLE FOR STANDARD CABLE ENTRY. CONTACT FACTORY FOR ALTERNATIVE

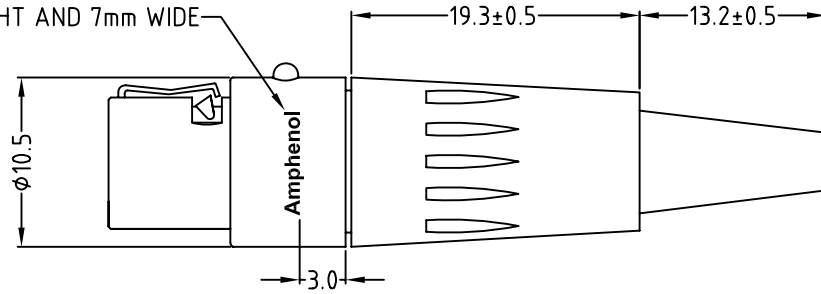
ITEM	MATERIAL	MATERIAL	ITEM
1	SHELL	BRASS-NICKEL PLATED	1
2	CONTACT	BRASS-GOLD PLATED	VARY
3	INSULATOR	PPS-BLACK	1
4	NUT	ABS-BLACK	1
5	GROMMET	PVC-BLACK	1
6	ADAPTOR	PPS-BLACK	1
7	CABLE CLAMP	BRASS-NICKEL PLATED	1

UNLESS OTHERWISE SPECIFIED TOLERANCE TO BE		THIS DOCUMENT IS THE PROPERTY OF AMPHENOL AUSTRALIA PTY. LTD.. NO PART THEREOF MAY BE REPRODUCED AND USED WITHOUT THE PRIOR WRITTEN CONSENT OF THE OWNER			
LINEAR	ANGULAR	CAD FILE:	DRN:	DATE:	TITLE:
X ± 0.5	X° ± 1°	550105430001101	M.N.H	15-06-07	MINI XLR LINE MALE CUSTOMER DRAWING
X,X ± 0.1	X°X' ± 30'	MATL: SEE NOTES	CKD: M.H.	DATE: 19-01-09	
X,X ± 0.05	X°X'X" ± 15'	DO NOT SCALE	FINISH: SEE NOTES	DATE: 19-01-09	
DIMENSIONS IN MILLIMETRES		SCALE: 2:1	APP'D: M.H.	DATE: 19-01-09	PART No: REFER TO CHART

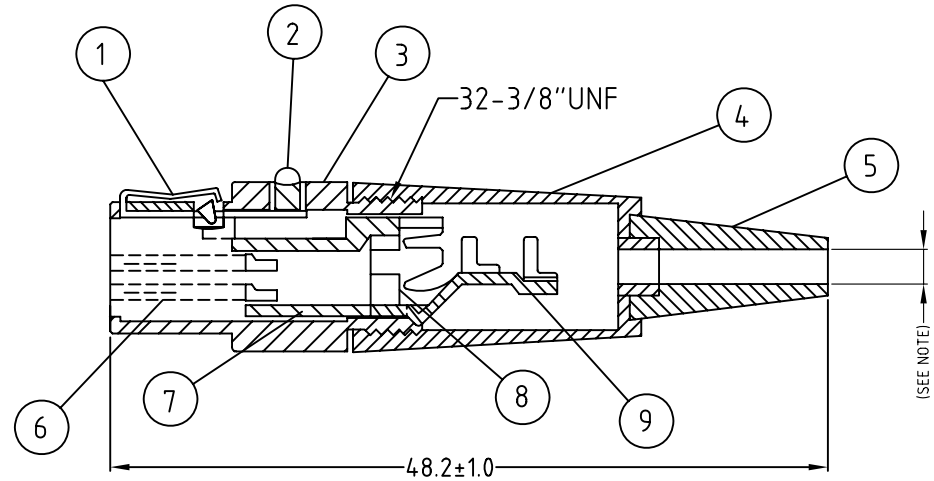
1	CHANGE PART NUMBER FROM ENGINEERING 55010543-000 TO CATALOGUE AG3M	M.H	19-01-09	----
0	FIRST ISSUE	M.N.H	15-06-07	----
REV.	CHANGE DETAILS	BY	DATE	CHG/No
Amphenol Amphenol Australia Pty.Ltd, 2 Freeways Blvd, Keysborough, Vic.3173		DRAWING NO. 55010543-000-1 SHEET 1 OF 1		



Amphenol LOGO TO BE ARIAL BOLD  
IN 2mm HEIGHT AND 7mm WIDE



No. CONTACT	PART No.	CABLE ENTRY (mm)
3 POLE	AG3F	3.5 DIAM GROMMET
4 POLE	AG4F	3.5 DIAM GROMMET
5 POLE	AG5F	3.5 DIAM GROMMET
6 POLE	AG6F	3.5 DIAM GROMMET



A-A SECTION

NOTE: SEE TABLE FOR STANDARD CABLE ENTRY. CONTACT FACTORY FOR ALTERNATIVE

ITEM	MATERIAL
1	SUS(AISI-301)
2	ABS-BLACK
3	BRASS-NICKEL PLATED
4	ABS-BLACK
5	PVC-BLACK
6	PHOSPHOR BRONZE-GOLD PLATED
7	PPS-BLACK
8	ABS-BLACK
9	BRONZE-NICKEL PLATED

UNLESS OTHERWISE SPECIFIED TOLERANCE TO BE		THIS DOCUMENT IS THE PROPERTY OF AMPHENOL AUSTRALIA PTY. LTD.. NO PART THEREOF MAY BE REPRODUCED AND USED WITHOUT THE PRIOR WRITTEN CONSENT OF THE OWNER				2	ADD AMPHENOL LOGO TO THE SHELL PREVIOUSLY NO LOGO	M.H	23-08-11	9044	
LINEAR	ANGULAR	CAD FILE: 55010459000112		DRN: M.N.H	DATE: 15-06-07	1	CHANGE PART NUMBER FROM ENGINEERING 55010459-000 TO CATALOGUE AG3F	M.H	19-01-09	----	
X ± 0.5	X° ± 1°	MATERIAL: SEE NOTES		CKD: M.H	DATE: 23-08-11	0	FIRST ISSUE	M.N.H	15-06-07	----	
X,X ± 0.1	X°X' ± 30'	FINISH: SEE NOTES		APP'D: P.M	DATE: 23-08-11	REV.	CHANGE DETAILS	BY	DATE	CHG/No	
X,X ± 0.05	X°X'X" ± 15'	DO NOT SCALE		DIMENSIONS IN MILLIMETRES		SCALE: NTS		PART No: REFER TO CHART			
		THIRD ANGLE PROJECTION		SCALE: NTS		PART No: REFER TO CHART		SIZE: A4			
TITLE: MINI XLR LINE FEMALE CUSTOMER DRAWING											
							20 Industry Boulevard, Carrumdowns, Vic 3201				
							DRAWING NO.		55010459-000-1		SHEET 1 OF 1