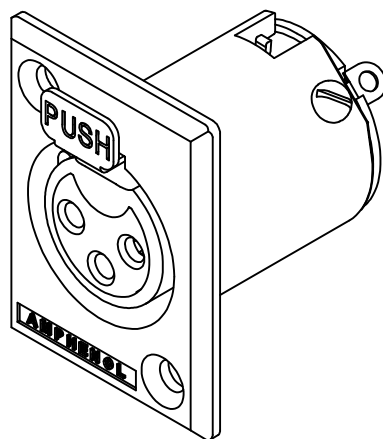


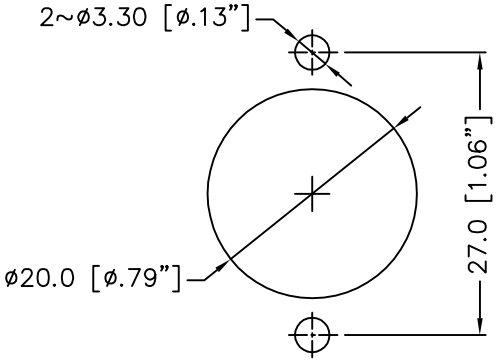
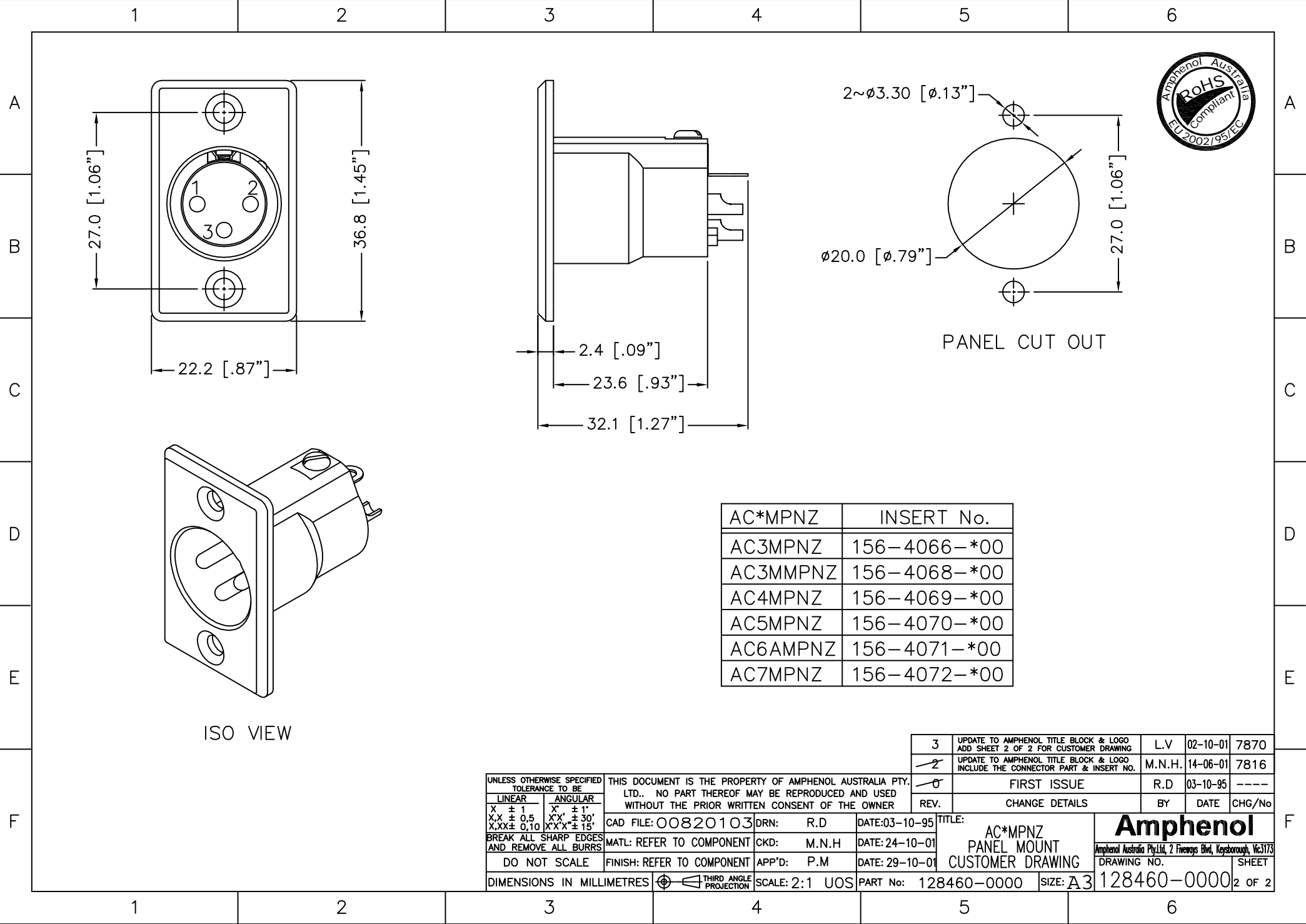
PANEL CUT OUT



ISO VIEW

AC*FPZ	INSERT No.
AC3FPZ	156-4065-*00
AC4FPZ	156-4073-*00
AC5FPZ	156-4074-*00
AC6AFPZ	156-4075-*00
AC7FPZ	156-4076-*00

UNLESS OTHERWISE SPECIFIED TOLERANCE TO BE		THIS DOCUMENT IS THE PROPERTY OF AMPHENOL AUSTRALIA PTY. LTD.. NO PART THEREOF MAY BE REPRODUCED AND USED WITHOUT THE PRIOR WRITTEN CONSENT OF THE OWNER		2	UPDATE TO AMPHENOL TITLE BLOCK & LOGO ADD SHEET 2 OF 2 FOR CUSTOMER DRAWING	L.V	02-10-01	7871
LINEAR	ANGULAR	CAD FILE: 00822102	DRN: D.v.E.	0	FIRST ISSUE	D.v.E.	21-09-1995	----
X ± 0.50	X' ± 1'	MATL: REFER TO COMPONENT	CKD: M.N.H	REV.	CHANGE DETAILS	BY	DATE	CHG/No
X,X ± 0.10	X,X' ± 30'	FINISH: REFER TO COMPONENT	APP'D: P.M	TITLE: AC*FPZ PANEL MOUNT CUSTOMER DRAWING		Amphenol <small>Amphenol Australia Pty Ltd, 2 Fineways Blvd, Keysborough, Vic 3173</small>		
X,XX ± 0.05	X,X,X' ± 15'	DO NOT SCALE	DIMENSIONS IN MILLIMETRES	THIRD ANGLE PROJECTION	SCALE: 2:1 UOS	PART No: 128462-0000	SIZE: A3	128462-0000 2 OF 2

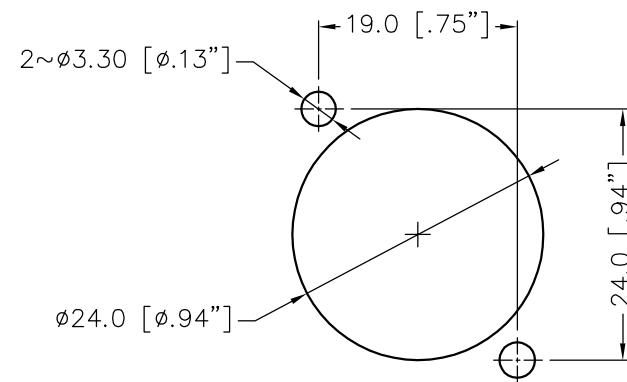
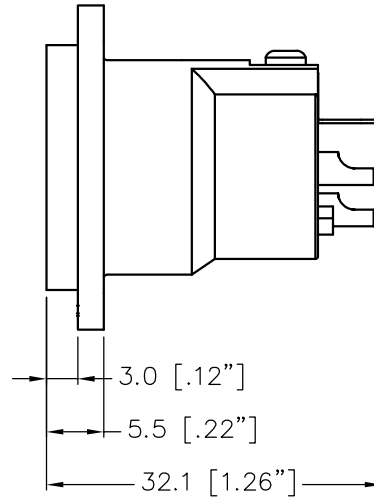
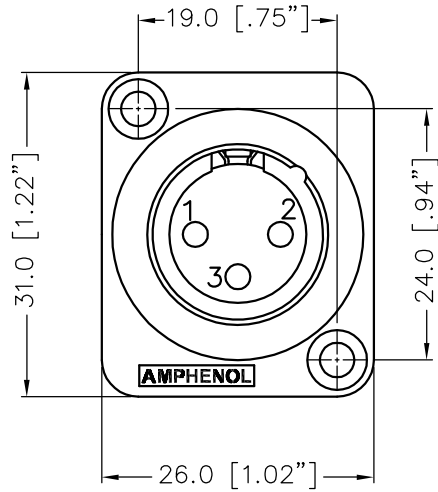


PANEL CUT OUT

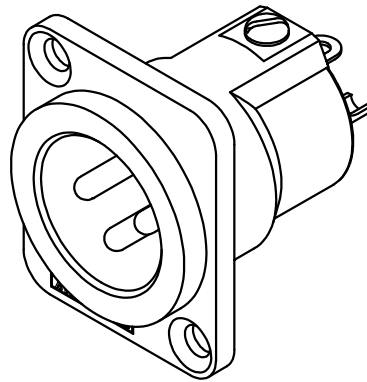
AC*MPNZ	INSERT No.
AC3MPNZ	156-4066-*00
AC3MMPNZ	156-4068-*00
AC4MPNZ	156-4069-*00
AC5MPNZ	156-4070-*00
AC6AMPNZ	156-4071-*00
AC7MPNZ	156-4072-*00

3	UPDATE TO AMPHENOL TITLE BLOCK & LOGO ADD SHEET 2 OF 2 FOR CUSTOMER DRAWING	L.V	02-10-01	7870
2	UPDATE TO AMPHENOL TITLE BLOCK & LOGO INCLUDE THE CONNECTOR PART & INSERT NO.	M.N.H.	14-06-01	7816
0	FIRST ISSUE	R.D	03-10-95	----
REV.	CHANGE DETAILS	BY	DATE	CHG/No

UNLESS OTHERWISE SPECIFIED TOLERANCE TO BE		THIS DOCUMENT IS THE PROPERTY OF AMPHENOL AUSTRALIA PTY. LTD.. NO PART THEREOF MAY BE REPRODUCED AND USED WITHOUT THE PRIOR WRITTEN CONSENT OF THE OWNER				TITLE:		Amphenol Amphenol Australia Pty Ltd, 2 Fineways Blvd, Keysborough, Vic 3173	
LINEAR	ANGULAR	CAD FILE: 00820103	DRN: R.D	DATE: 03-10-95	AC*MPNZ PANEL MOUNT CUSTOMER DRAWING		DRAWING NO.		
X ± 1	X' ± 1'	MATL: REFER TO COMPONENT	CKD: M.N.H	DATE: 24-10-01	DO NOT SCALE		FINISH: REFER TO COMPONENT	APP'D: P.M	DATE: 29-10-01
X.X ± 0.5	X'X' ± 30'	DIMENSIONS IN MILLIMETRES		THIRD ANGLE PROJECTION	SCALE: 2:1 UOS	PART No: 128460-0000	SIZE: A3	128460-0000	2 OF 2
X.XX ± 0.10	X'X'X' ± 15'								



PANEL CUT OUT

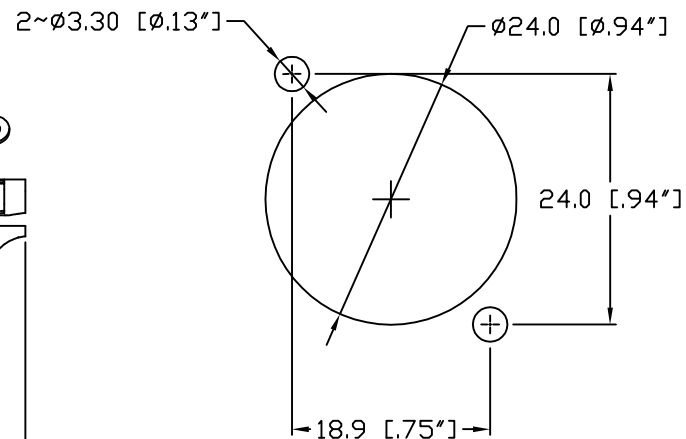
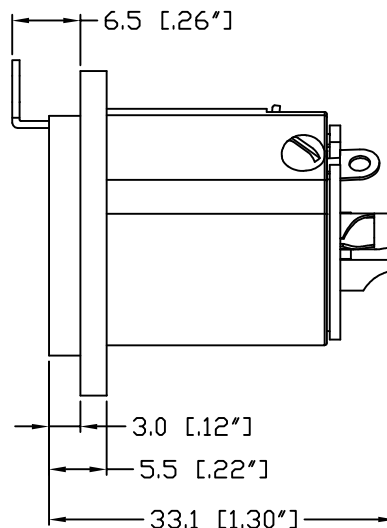
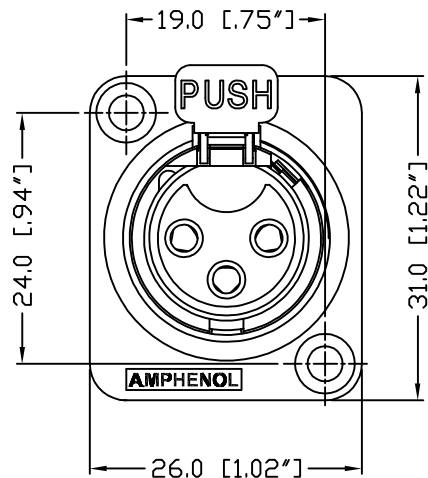


ISO VIEW

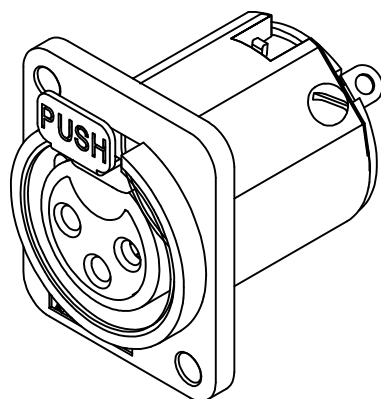
AC*MDZ	INSERT No.
AC3MDZ	156-4066-*00
AC3MMDZ	156-4068-*00
AC4MDZ	156-4069-*00
AC5MDZ	156-4070-*00
AC6AMDZ	156-4071-*00
AC7MDZ	156-4072-*00

3	UPDATE TO AMPHENOL TITLE BLOCK & LOGO ADD SHEET 2 OF 2 FOR CUSTOMER DRAWING	L.V	02-10-01	7869
2	UPDATE TO AMPHENOL TITLE BLOCK & LOGO INCLUDE THE CONNECTOR ASSEMBLY VIEW	L.V	01-11-00	7661
0	FIRST ISSUE	R.D.	22-09-95	----
REV.	CHANGE DETAILS	BY	DATE	CHG/No

UNLESS OTHERWISE SPECIFIED TOLERANCE TO BE		THIS DOCUMENT IS THE PROPERTY OF AMPHENOL AUSTRALIA PTY. LTD.. NO PART THEREOF MAY BE REPRODUCED AND USED WITHOUT THE PRIOR WRITTEN CONSENT OF THE OWNER			
LINEAR	ANGULAR	CAD FILE: 00819103	DRN: R.D.	DATE: 22-09-95	TITLE:
X ± 1	X' ± 1'	MATL: REFER TO COMPONENT	CKD: M.N.H	DATE: 24-10-01	AC*MDZ
X.X ± 0.5	X'X' ± 30'	FINISH: REFER TO COMPONENT	APP'D: P.M	DATE: 29-10-01	PANEL MOUNT
X.XX ± 0.10	X'X'X' ± 15'	DO NOT SCALE	THIRD ANGLE PROJECTION	SCALE: 2:1 UOS	CUSTOMER DRAWING
DIMENSIONS IN MILLIMETRES		PART No: 128459-0000		SIZE: A3	Amphenol
		DRAWING NO. 128459-0000		SHEET 2 OF 2	
		Amphenol Australia Pty Ltd, 2 Fineways Blvd, Keysborough, Vic 3173			



PANEL CUT OUT



ISO VIEW

AC*FDZ	INSERT No.
AC3FDZ	156-4065-*00
AC4FDZ	156-4073-*00
AC5FDZ	156-4074-*00
AC6AFDZ	156-4075-*00
AC7FDZ	156-4076-*00

UNLESS OTHERWISE SPECIFIED TOLERANCE TO BE		THIS DOCUMENT IS THE PROPERTY OF AMPHENOL AUSTRALIA PTY. LTD.. NO PART THEREOF MAY BE REPRODUCED AND USED WITHOUT THE PRIOR WRITTEN CONSENT OF THE OWNER				2	UPDATE TO AMPHENOL LOGO ADD SHEET 2 OF 2 FOR CUSTOMER DRAWING	M.N.H.	27-06-00	7473
LINEAR	ANGULAR	CAD FILE: 00821102				0	FIRST ISSUE	D.v.E.	21-09-1995	----
X ± 0.50	X' ± 1'	DRN:	D.v.E.	DATE:	21-09-95	REV.	CHANGE DETAILS	BY	DATE	CHG/No
X,X ± 0.10	X,X' ± 30'	MATL:	REFER TO COMPONENT	CKD:	M.N.H	DATE:	28-06-02	TITLE:		
X,XX ± 0.05	X,X,X' ± 15'	DO NOT SCALE	FINISH:	REFER TO COMPONENT	APP'D:	P.M	DATE:	28-06-02	AC*FDZ PANEL MOUNT CUSTOMER DRAWING	
DIMENSIONS IN MILLIMETRES		THIRD ANGLE PROJECTION		SCALE:	2:1 UOS	PART No:	128461-0000	SIZE:	A3	128461-0000
								Amphenol Australia Pty.Ltd, 2 Fineways Blvd, Keysborough, Vic.3173		DRAWING NO. SHEET
										2 OF 2