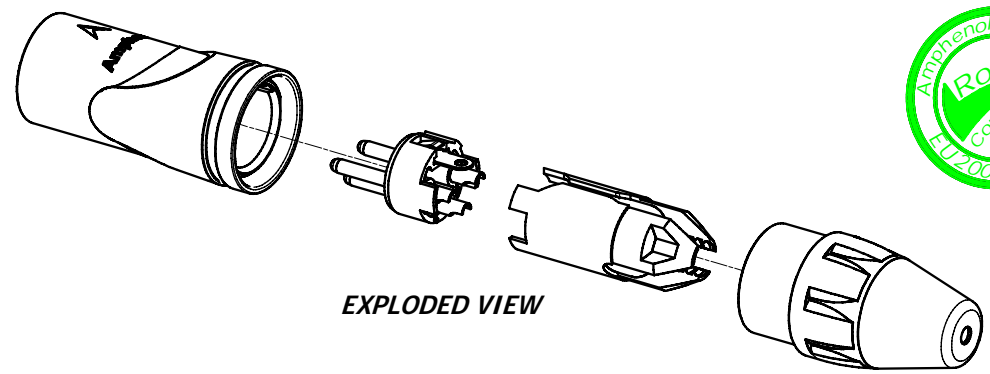
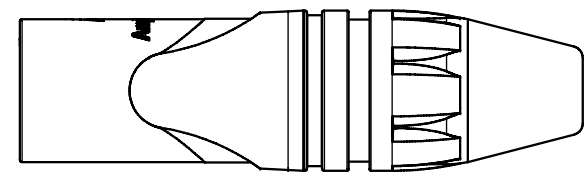
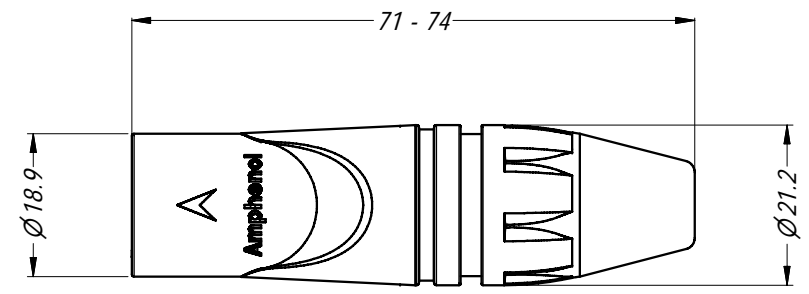
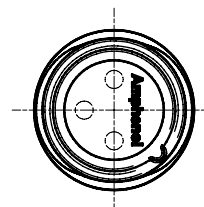


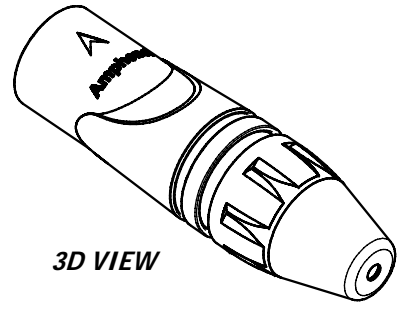
PART NUMBER BREAKDOWN

AX3MB1-AU BULK

<p>SERIES PREFIX AX3M = 3 PIN MALE AX4M = 4 PIN MALE AX5M = 5 PIN MALE</p>
<p>SHELL FINISH BLANK = NICKEL PLATED B = BLACK</p>
<p>SLEEVE COLOR BLANK = BLACK 1 = BROWN 2 = RED 3 = ORANGE 4 = YELLOW 5 = GREEN 6 = BLUE 7 = VIOLET 8 = GREY 9 = WHITE C = CLEAR</p>
<p>CONTACT PLATING BLANK = SILVER PLATE AU = GOLD PLATE</p>
<p>PACKAGING BLANK = INDIVIDUAL BAGS BULK = BULK PACKED</p>



EXPLODED VIEW



3D VIEW

UNLESS OTHERWISE SPECIFIED TOLERANCE TO BE: LINEAR ANGULAR X ±0.5 X" ±1 X.X ±0.1 X.X" ±30° X.XX ±0.05 X.XX" ±15°		THIS DOCUMENT IS THE PROPERTY OF AMPHENOL AUSTRALIA PTY. LTD. NO PART THEREOF MAY BE REPRODUCED AND USED WITHOUT THE PRIOR WRITTEN CONSENT OF THE OWNER				Amphenol Amphenol Australia Pty.Ltd, 2 Fiveways Blvd, Keysborough, VIC 3173		
BREAK ALL SHARP EDGES AND REMOVE ALL BURRS DO NOT SCALE		MATERIAL: SEE COMPONENTS		DRN: T.N CKD: P.M APP'D: P.M	DATE: 24/06/08 DATE: 22/12/08 DATE: 22/12/08	TITLE: XLR MALE PLUG AX SERIES CUSTOMER DRAWING	PART No: SEE P/No BREAKDOWN	
DIMENSIONS IN MILIMETRES		FINISH:		SCALE: 1:1	SIZE: A4	CAD FILE: 55010534000210	DRAWING NO. 55010534-000-2	SHEET 2/2

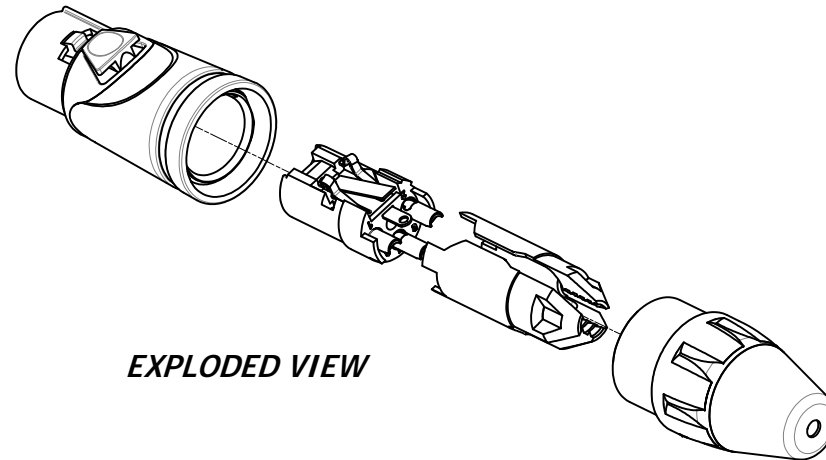
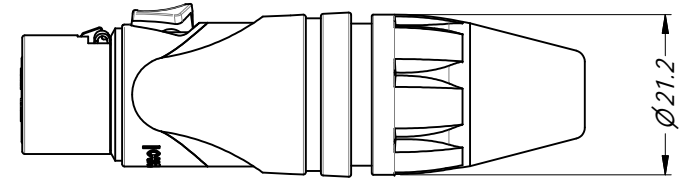
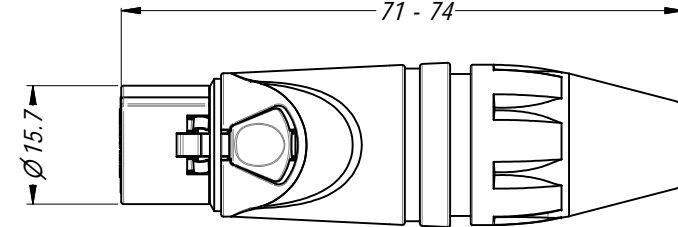
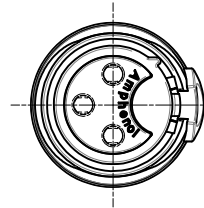


THIRD ANGLE PROJECTION

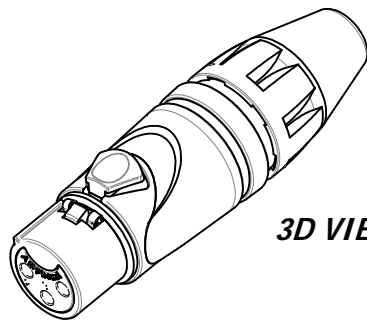
PART NUMBER BREAKDOWN

AX3FB1-AU BULK

SERIES PREFIX AX3F = 3 SOCKET FEMALE AX4F = 4 SOCKET FEMALE AX5F = 5 SOCKET FEMALE
SHELL FINISH BLANK = NICKEL PLATED B = BLACK
SLEEVE COLOR BLANK = BLACK 1 = BROWN 2 = RED 3 = ORANGE 4 = YELLOW 5 = GREEN 6 = BLUE 7 = VIOLET 8 = GREY 9 = WHITE C = CLEAR
CONTACT PLATING BLANK = STANDARD AU = GOLD PLATE
PACKAGING BLANK = INDIVIDUAL BAGS BULK = BULK PACKED



EXPLODED VIEW



3D VIEW

UNLESS OTHERWISE SPECIFIED TOLERANCE TO BE		THIS DOCUMENT IS THE PROPERTY OF AMPHENOL AUSTRALIA PTY. LTD. NO PART THEREOF MAY BE REPRODUCED AND USED WITHOUT THE PRIOR WRITTEN CONSENT OF THE OWNER				Amphenol Amphenol Australia Pty.Ltd, 2 Fiveways Blvd, Keysborough, VIC 3173	
LINEAR	ANGULAR	MATERIAL: SEE COMPONENTS		DRN: T.N	DATE: 25/06/08	TITLE: XLR FEMALE PLUG AX SERIES CUSTOMER DRAWING	
X ±0.5	X° ±1	BREAK ALL SHARP EDGES AND REMOVE ALL BURRS		CKD: P.M	DATE: 22/12/08	PART No: SEE P/No BREAKDOWN	
X.X ±0.1	X.X° ±30°	DO NOT SCALE		APP'D: P.M	DATE: 22/12/08	DRAWING NO. SHEET	
X.XX ±0.05	X.XX° ±15°	DIMENSIONS IN MILIMETRES		SCALE: 1:1	SIZE: A4	55010535-000-2 2/2	
		THIRD ANGLE PROJECTION		CAD FILE: 5501535000210			